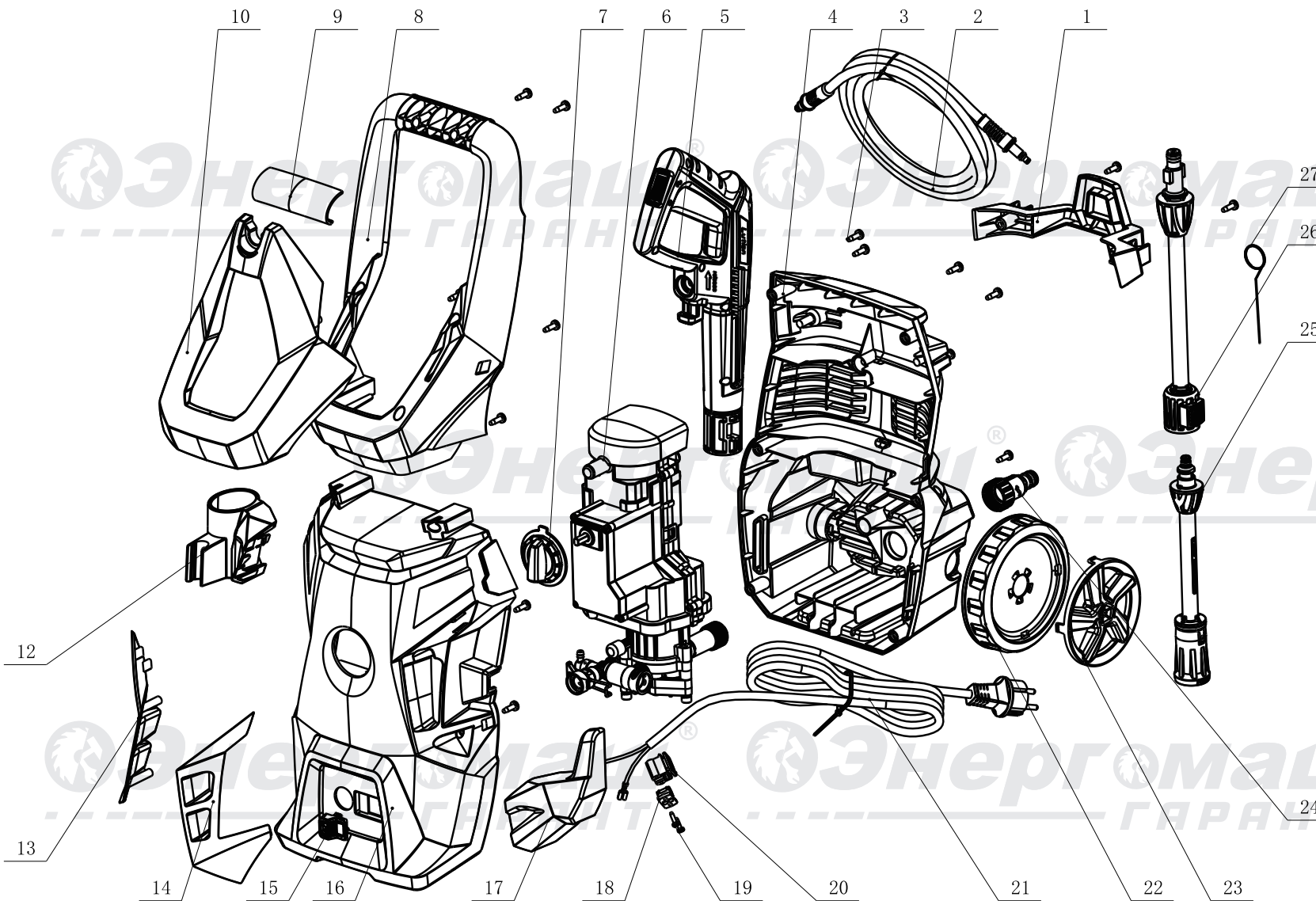


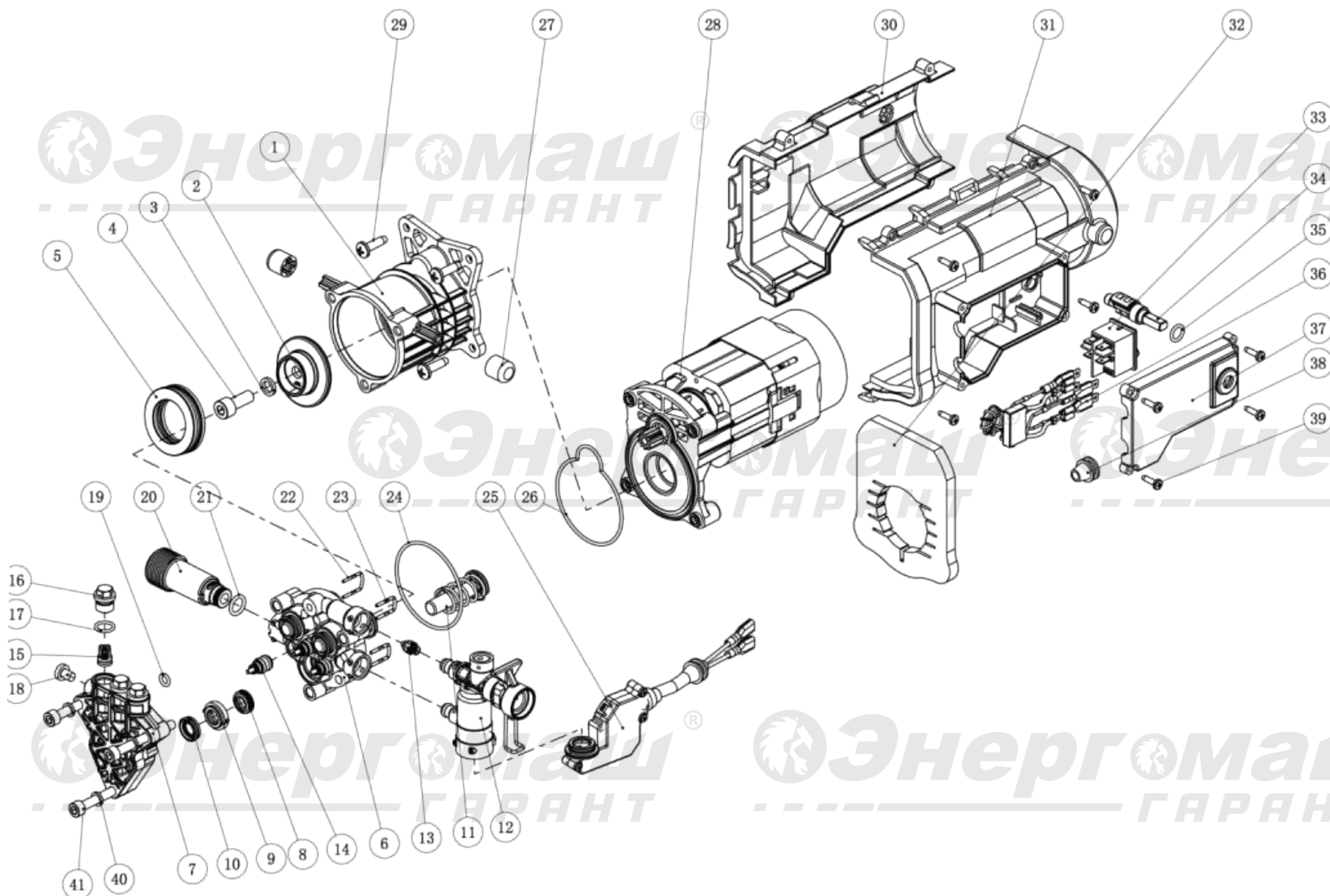
MVD1-1900

NO.	DESCRIPTION
1	Accessories holder
2	High pressure hose
3	Screw ST4.8x16
4	Back housing
5	Gun
6	MP101 moto+pump assy
7	Swith knob
8	Handle cover
9	Handle decorative frame
10	Soap bottle
12	Gun holder
13	Decorative plate <left>
14	Decorative plate <right>
15	Botton
16	Front housing
17	Power cable hook
18	Power cable pressplate
19	Screw ST3.5x13F
20	Power cable jacket
21	Power cable
22	Wheel
23	Wheel cover
24	Water inlet connector
25	Adjustable nozzle
26	Extension wand
27	Cleaning pin

MVD1-1900-EX-RUS20211206



PUMP FOR MVD1-1900



NO.	DESCRIPTION
1	Oil cylinder assy
2	Swash plate
3	Gasket 8
4	Bolt M8X20
5	Bearing 51106
6	Pump body
7	Pump cover
8	Plunger oil seal 10x16x4
9	Oil seal bracket
10	Oil seal10x16x4
11	Plunger assy
12	Outlet hose assy
13	Back pressure valve assy
14	Inlet checking valve assy
15	Outlet checking valve assy
16	Checking valve cap
17	O ring 9.5x1.8
18	Bolt M6x8
19	O ring 5.5x2
20	Inlet hose
21	O ring 10x2.2
22	U pin 12 4X19X1 8
23	U pin 10X18X2
24	O ring 58x2
25	On-off switch assy
26	Seal ring
27	Damping ring
28	Motor
29	Bolt ST5.5X20
30	Fan cover down
31	Fan cover up
32	Fan cover filter
33	Main switch
34	Switch driving lever
35	O ring 8x2
36	Capacitor & inductor assy
37	Switch cover
38	Outlet wire cover
39	Bolt ST3.5 X13F
40	Gasket 6
41	Bolt M6x55

MVD1-1900-EX-RUS20211206